



DURAPOD SYSTEMS

- Gasket-sealed for freshness
- Modular, cost effective design
- Molded with BPA-free copolyester resin
- Certified to NSF/ANSI 2 standards
- Quick & Easy Installation on standard gondola shelving
- Designed for customer safety

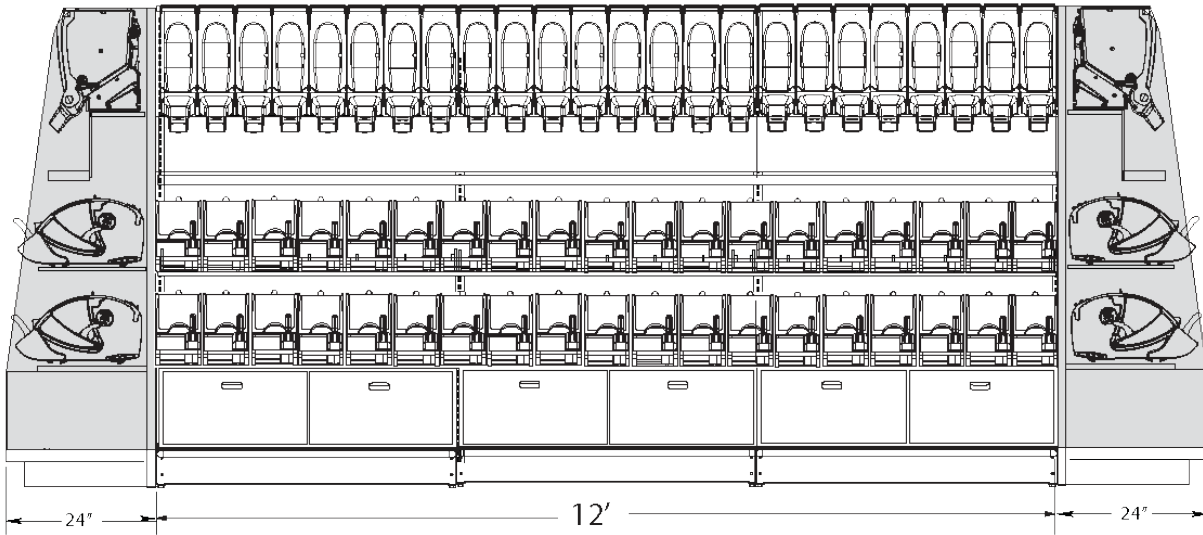


FOR MORE INFORMATION, CONTACT US AT sales@durapodsystems.com





**TOUCHLESS
FOR SAFETY**



EASY INSTALL ON STANDARD GONDOLA SHELVING

For more information,
please scan the QR code below



Bulk Bin Solutions LLC d.b.a.
DURAPOD SYSTEMS
1601 109th Street
Grand Prairie, TX 75050

☎ (972)-660-3300

✉ sales@durapodsystems.com

